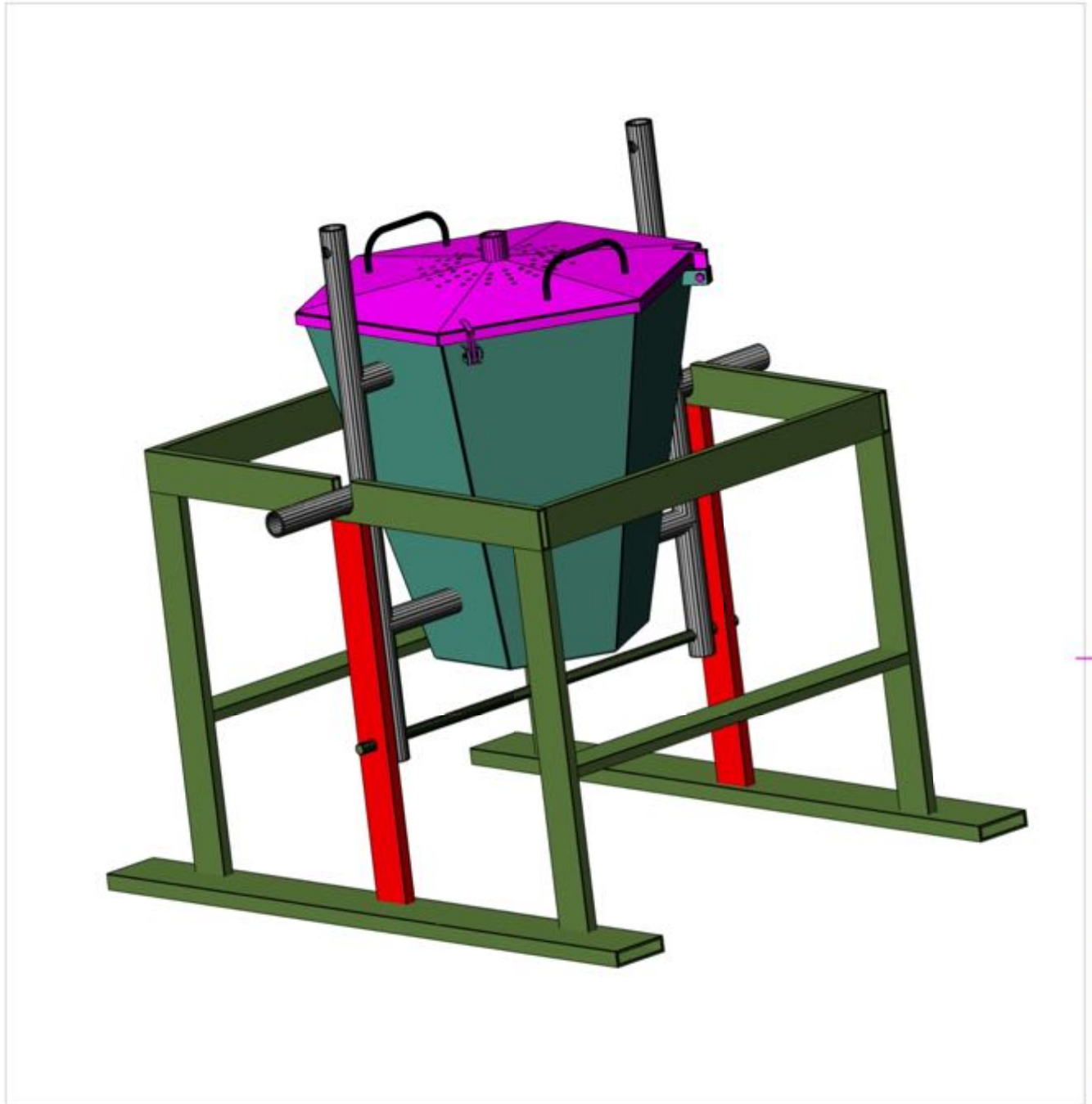



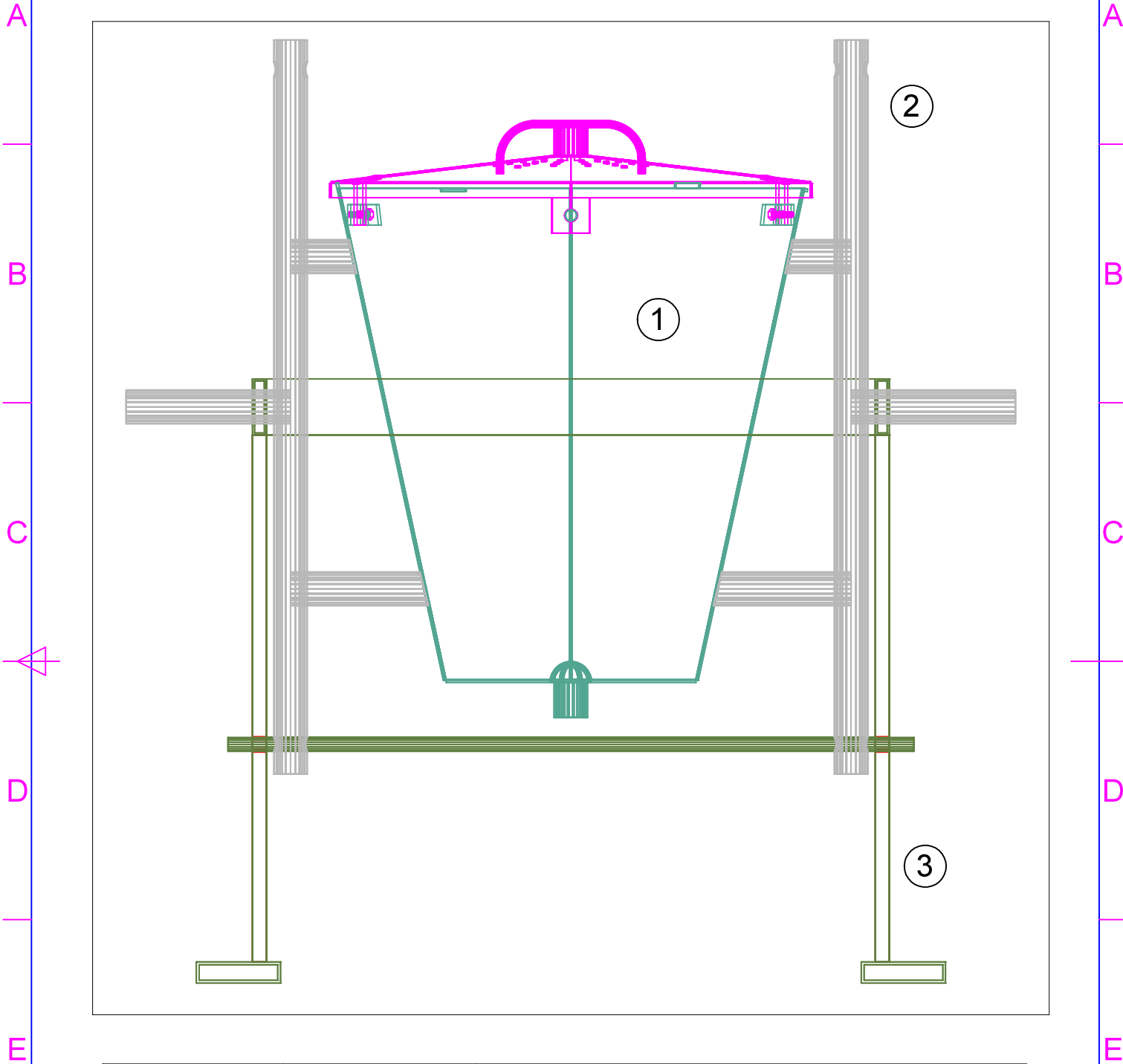


### 3D VIEW






Itemref	Quantity	Title/Name, designation, material, dimension etc			Article No./Reference	
Designed by A. Carrea	Checked by E. Arato	Approved by - date Pongiglione - 18/07/08	File name Steriliz	Date 18/07/08	Scale N/A	
	PS76 ONLUS			<b>STERILIZER</b>		
				010-1-I-GDV-DGC-A	Edition 0	Sheet 1/10

# FRONT VIEW

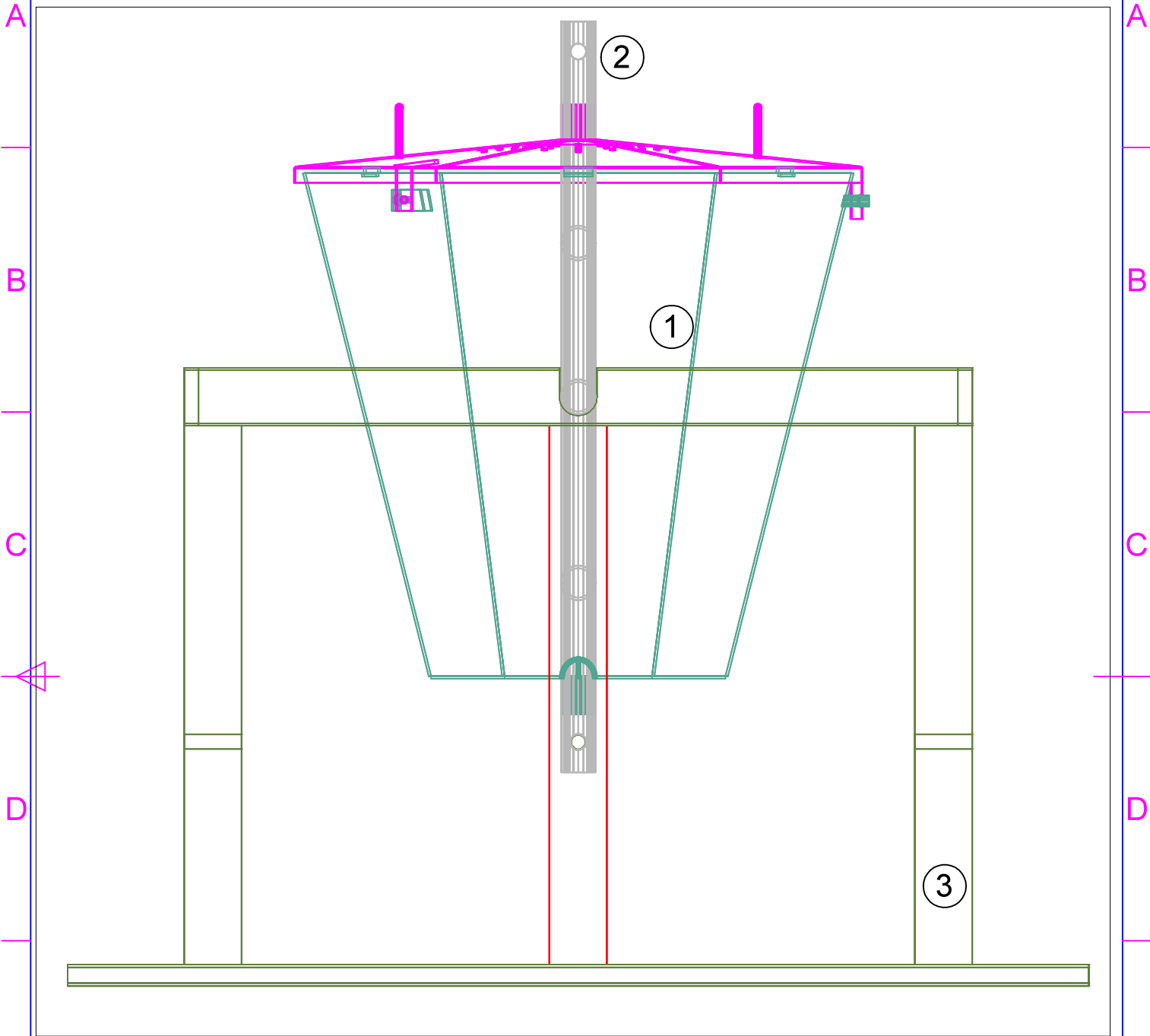


ITEM	QUANTITY	DESCRIPTION	NOTES
1		Container	See sheet 5
2		Rotating stand	See sheet 8
3		Structure	See sheet 9




Itemref	Quantity	Title/Name, designation, material, dimension etc			Article No./Reference	
Designed by A. Carrea	Checked by E. Arato	Approved by - date Pongiglione - 18/07/08	File name Steriliz	Date 18/07/08	Scale 1/8	

 PS6 ONLUS	 AMIGOS DA GUINE-BISSAU	 DICAT UNIGE	<b>STERILIZER</b>			
			010-1-I-GDV-DGC-A		Edition 0	Sheet 2/10

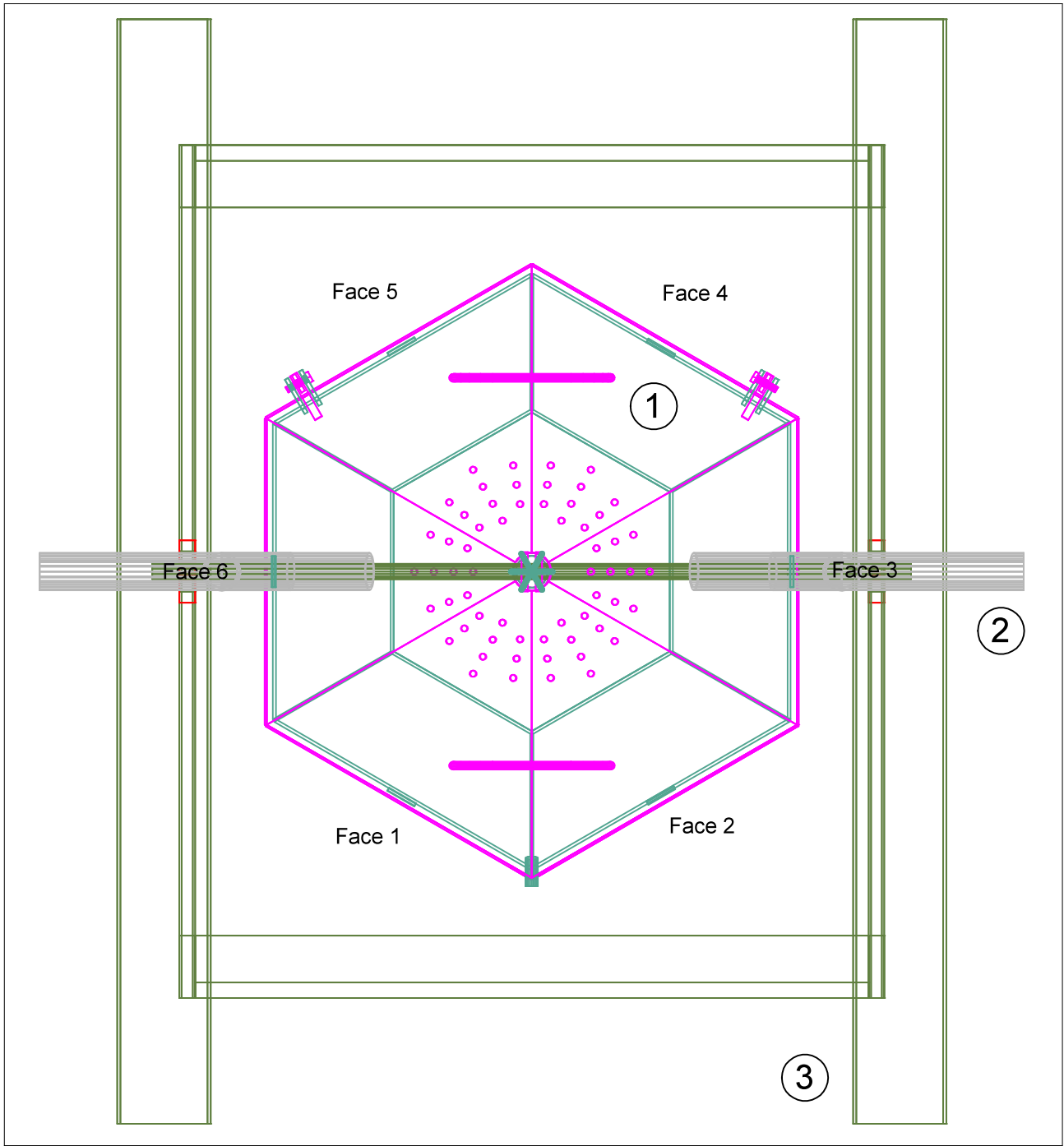
# SIDE VIEW






ITEM	QUANTITY	DESCRIPTION	NOTES
1		Container	See sheet 5
2		Rotating stand	See sheet 8
3		Structure	See sheet 9

Itemref	Quantity	Title/Name, designation, material, dimension etc			Article No./Reference	
Designed by A. Carrea	Checked by E. Arato	Approved by - date Pongiglione - 18/07/08	File name Steriliz	Date 18/07/08	Scale 1/8	
	PS76 ONLUS			<b>STERILIZER</b>		
				010-1-I-GDV-DGC-A	Edition 0	Sheet 3/10

# PLAN VIEW

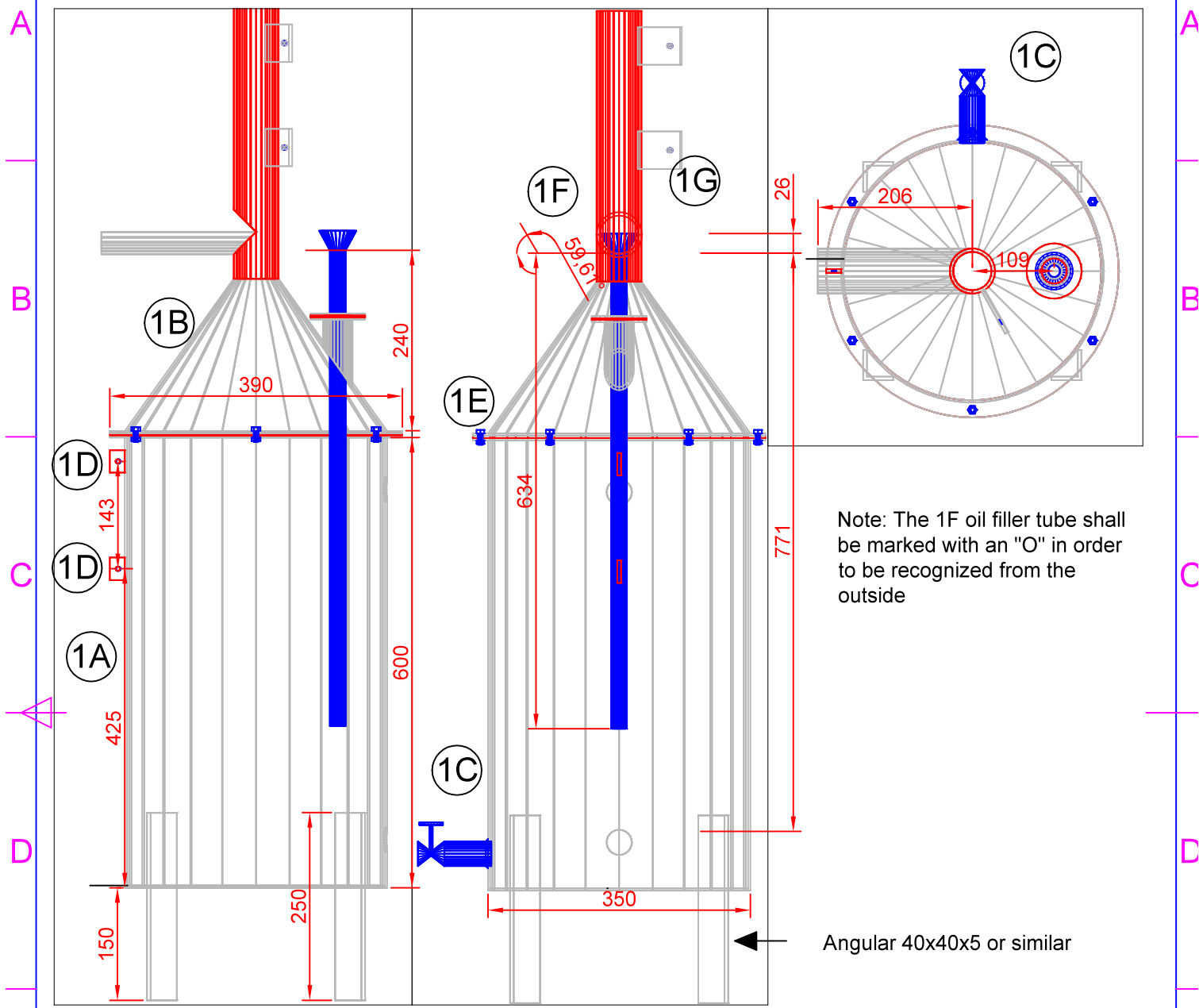


ITEM	QUANTITY	DESCRIPTION	NOTES
1		Container	See sheet 5
2		Rotating stand	See sheet 8
3		Structure	See sheet 9

Itemref	Quantity	Title/Name, designation, material, dimension etc			Article No./Reference	
Designed by A. Carrea	Checked by E. Arato	Approved by - date Pongiglione - 18/07/08	File name Steriliz	Date 18/07/08	Scale 1/8	
	PS76 ONLUS			<h2>STERILIZER</h2>		
				010-1-I-GDV-DGC-A	Edition 0	Sheet 4/10

1	N. rev	Nota di revisione	3	Data	Firma	Controllo
1	1	Deleted separate water inlet		22/09/09	A.C.	F.P.

# CLARIFIER A



Note: The 1F oil filler tube shall be marked with an "O" in order to be recognized from the outside

Angular 40x40x5 or similar

ITEM	QUANTITY	DESCRIPTION	NOTES
1A	1	Container (sheet metal 2.5 mm)	Carbon steel
1B	1	Cover	See sheet 6
1C	1	Drain	See sheet 6
1D	2	Support sheets (20x30x5)	Carbon steel al
1E	6	M6 bolts	Carbon steel
1F	1	Oil inlet filler tube (1/2")	Carbon steel
1G	1	Water inlet filler tube (1/2")	Carbon steel

Rif.	Quantità	Titolo/Nome, designazione, materiale, dimensione, ecc.		N. articolo/Riferimento	
Progettato da A. Carrea	Controllato da E. Arato	Approvato da - data Pongiglione - 02/07/08	Nome file Clarifier	Data 02/07/08	Scala 1:8

PS76  
ONLUS

AMIGOS DA GUINE BISSAU

DICAT  
UNIGE

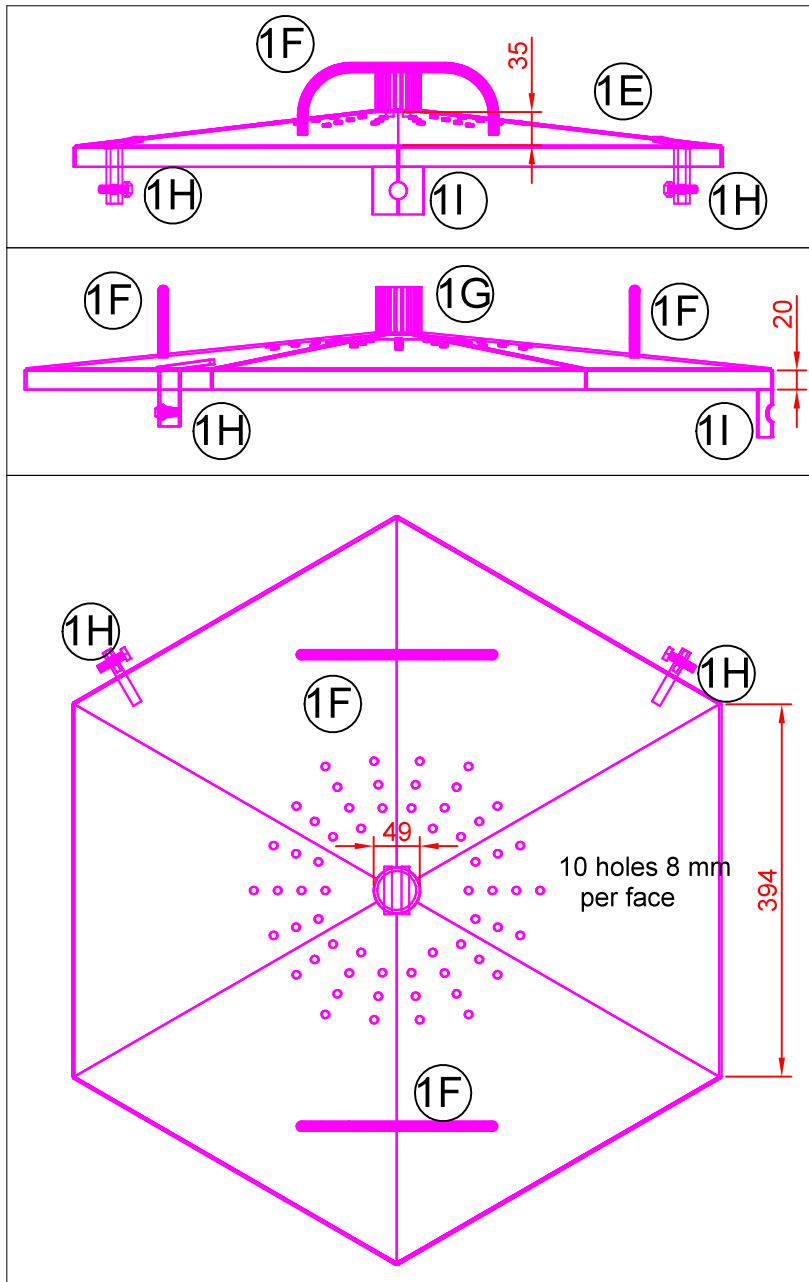
## CLARIFIER

010-1-I-CRF-DGC-A

Modifica  
0




Foglio  
5/10

# CONTAINER COVER



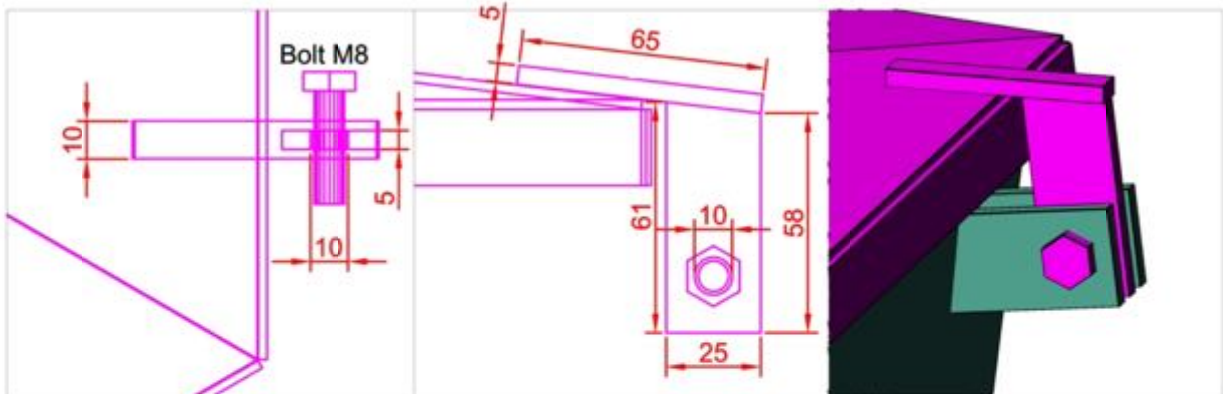
ITEM	QUANTITY	DEXCRIPTION	NOTES
1E	1	Cover	Metal sheet 2.5 mm
1F	2	Handle	Pipe 1" 1/2
1G	1	Draining pipe (see note)	Pipe diam 1" 1/2
1H	2	Cover fixing to container	See detail A
1I	1	Piattine per inserimento perno	See detail B

Note: The drainage pipe must be equipped with a grid to prevent the fruit from falling

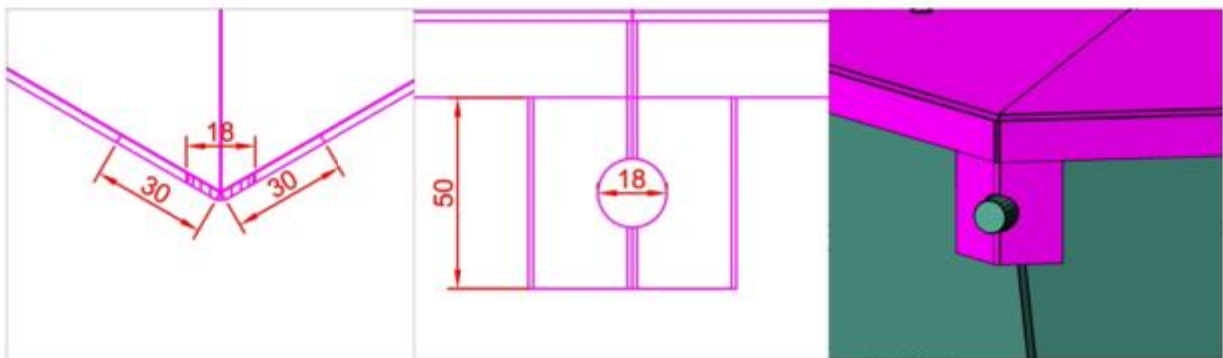
Itemref	Quantity	Title/Name, designation, material, dimension etc			Article No./Reference	
Designed by A. Carrea	Checked by E. Arato	Approved by - date Pongiglione - 18/07/08	File name Steriliz	Date 18/07/08	Scale 1/8	
			<h2>STERILIZER</h2>			
010-1-I-GDV-DGC-A				Edition 0	Sheet 6/10	

# CONTAINER COVER (DETAILS A AND B)

## DETAIL A (Plan, side view and 3D view)



## DETAIL B (Plan, front view and 3D view)



## CONTAINER (Spacers detail)

(Scale 1:1)




N° 3 spacers 8x4x40 on faces 2, 4 and 6 to hold the cover off the container

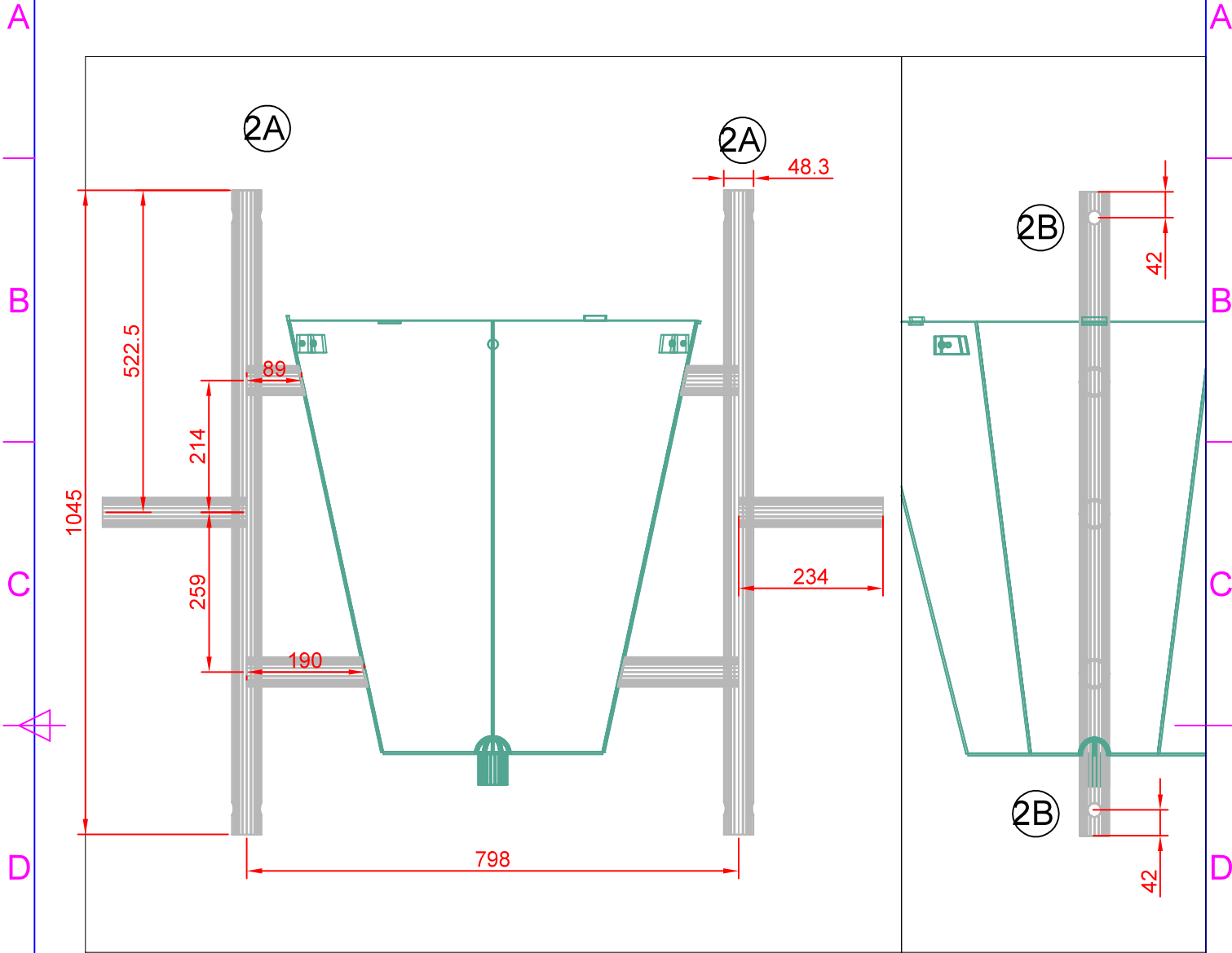
(Scale 1:1)






N° 3 spacers 8x4x40 on faces 1, 3 and 5 to hold the cover off the container

Itemref	Quantity	Title/Name, designation, material, dimension etc	Article No./Reference		
Designed by A. Carrea	Checked by E. Arato	Approved by - date Pongiglione - 18/07/08	File name Steriliz	Date 18/07/08	Scale 1/2
  	<b>Sterilizer</b>			Edition 0	Sheet 7/10
	010-1-I-GDV-DGC-A				

# ROTATING STAND



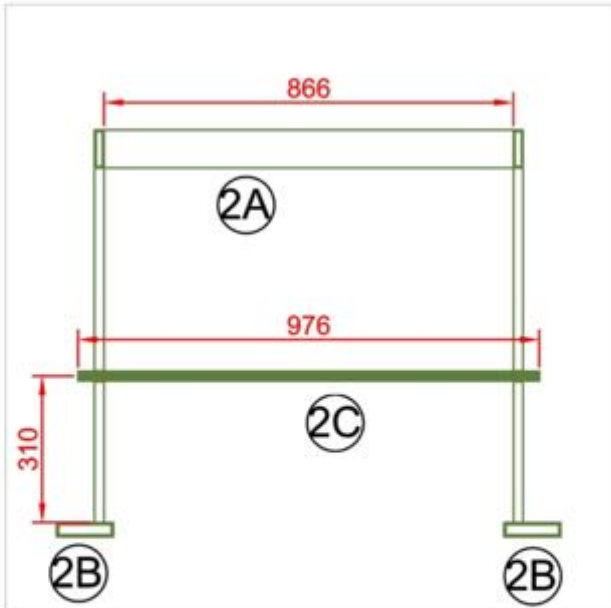
ITEM	QUANTITY	DESCRIPTION	NOTES
2A	See drawing	Pipe diam 1" 1/2	
2B	4	Holes diam. 22 for stopper insertion	

Itemref	Quantity	Title/Name, designation, material, dimension etc			Article No./Reference	
Designed by A. Carrea	Checked by E. Arato	Approved by - date Pongiglione - 18/07/08	File name Steriliz	Date 18/07/08	Scale 1/10	
			<b>STERILIZER</b>			
010-1-I-GDV-DGC-A				Edition 0	Sheet 8/10	

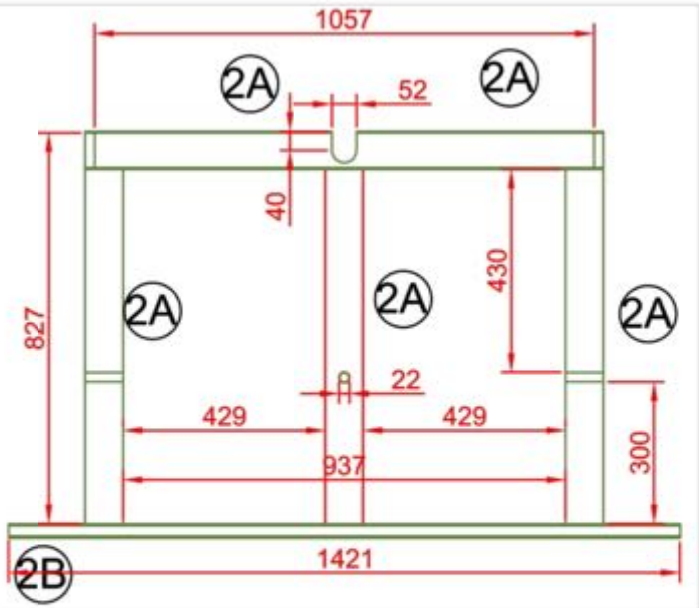


# STRUCTURE

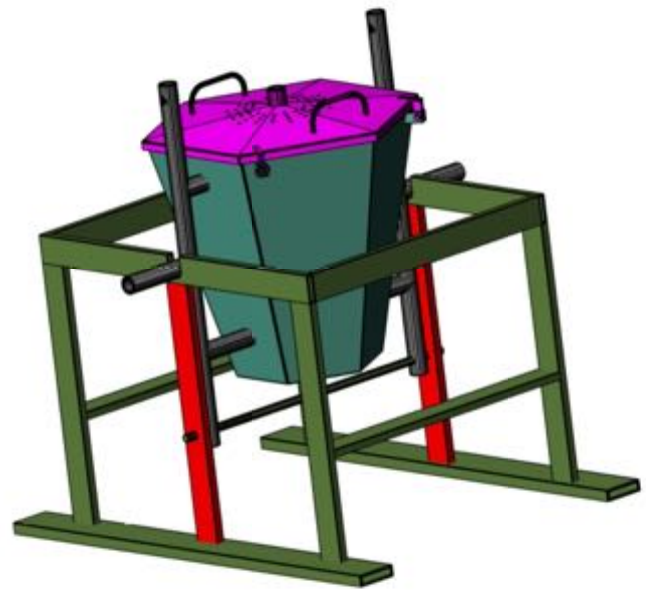
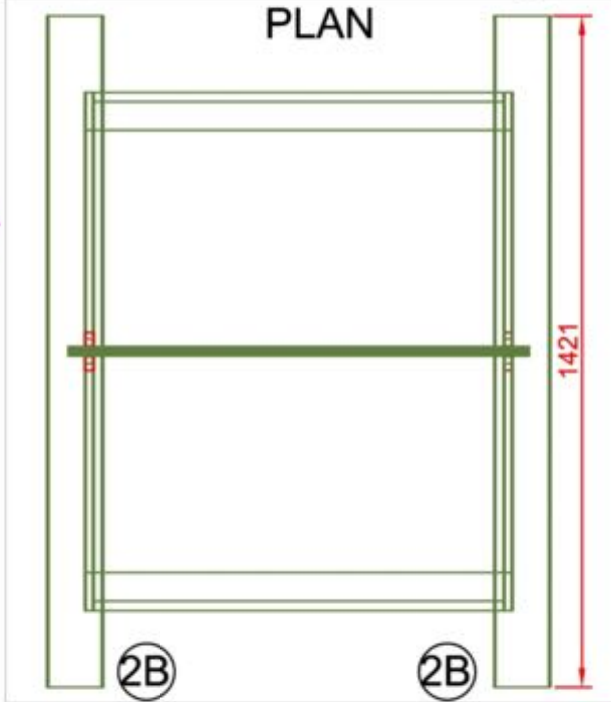
FRONT VIEW






SIDE VIEW



PLAN

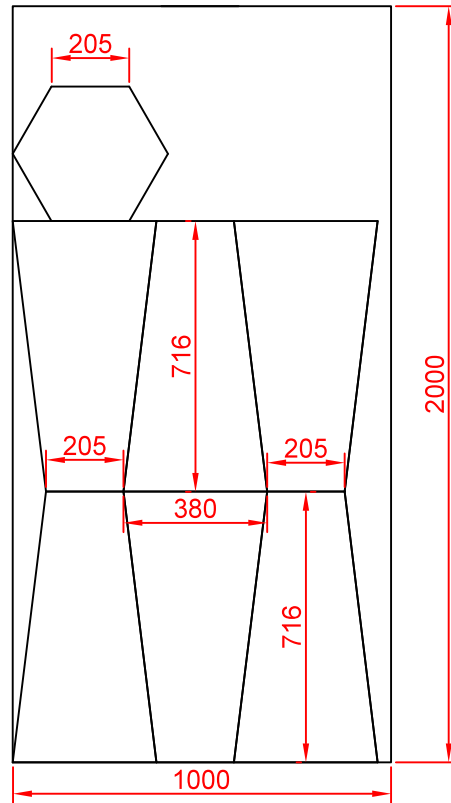





ITEM	QUANTITY	DESCRIPTION	NOTES
2A	See drawing	Rectangular tube 80x20 th 3	Carbon steel
2B	See drawing	Rectangular tube 80x20 th 3	Carbon steel
2C	1	Rectangular tube 120x30 th. 4	Carbon steel

Itemref	Quantity	Title/Name, designation, material, dimension etc			Article No./Reference	
Designed by A. Carrea	Checked by E. Arato	Approved by - date Pongiglione - 18/07/08	File name Steriliz	Date 18/07/08	Scale 1/16	
 PS76 ONLUS		 AMIGOS DA GUINE BISSAU		 DICAT UNIGE		
<b>STERILIZER</b>				010-1-I-GDV-DGC-A	Edition 0	Sheet 9/10

# NOTES

- The dimensions not indicated can be obtained from the scale used in the single sheets. However, they are indicative and can be changed by the manufacturer to make construction easier
- A suggestion for sheet cutting (sheet 2mx1m) for building the container is shown in the figure below



Itemref	Quantity	Title/Name, designation, material, dimension etc			Article No./Reference	
Designed by A. Carrea	Checked by E. Arato	Approved by - date Pongiglione - 18/07/08	File name Steriliz	Date 18/07/08	Scale N/A	
	PS76 ONLUS			<b>STERILIZER</b>		
				010-1-I-GDV-DGC-A	Edition 0	Sheet 10/10